



CK-868

868 MHz RHP circular patch antenna
18760



antenna shown with optional mast bracket!

This antenna covers both EU and USA RFID bands. The antenna has been designed to be waterproof and is easy to install. It is circularly polarised for reading in any orientation. It can be used for improved indoor GSM coverage, due to circular polarisation. VSWR is typically less than 1.2:1, giving a return loss better than 20dB.

Features:

- 860 - 960 MHz.
- Extremely low VSWR return loss.
- Circularly Polarised.
- Low axial ratio for optimum transmitted power.
- Wall mountable.

Best.Nr. / part no.:

18760 Antenne für Wandmontage/
antenna with wall mount

18626.H Option Masthalterung /
optional mast bracket

Application:

- RFID readers.
- UHF.

WiMo Antennen und Elektronik GmbH

Am Gäxwald 14, D-76863 Herxheim Tel. (07276) 9668-0 FAX 9668-11
<http://www.wimo.com> e-mail: info@wimo.com

Technische Daten / Technical data

Electrical:

Gain (max)	7 dBi (± 1 dBi)
Gain (min over the band)	6.5 dBi (± 0.5 dBi)
Frequency	860 - 960 MHz
VSWR	< 1.3:1
Axial Ratio	< 1dB
Feed power handling	10 W
E-plane 3 dB beamwidth	67° ($\pm 5^\circ$)
H-plane 3 dB beamwidth	69° ($\pm 5^\circ$)
Front to back (F/B ratio)	20 dB (± 3 dB)
Nominal input impedance	50 Ohm
Polarisation	Circular LHCP

Environmental:

Wind Loading	160 km/h (without ice)
Temperature Range	- 20° C to +70° C
Shock	40g at 10 msec
Thermal Shock (10 cycles)	- 20° C to +70° C
Water Ingress Rating	IP65 (NEMA 4X)

Mechanical:

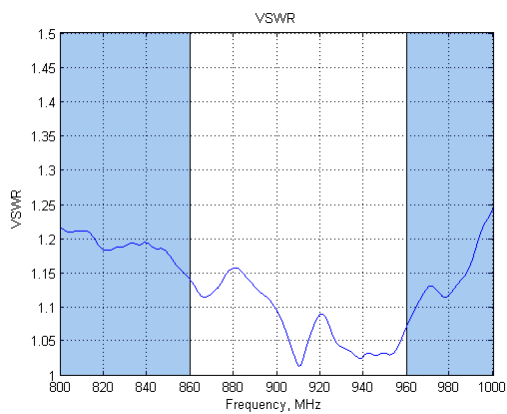
Dimensions (l x w x d)	245 x 235 x 40 mm
Weight	470 g

* VSWR tested at min and max temperatures

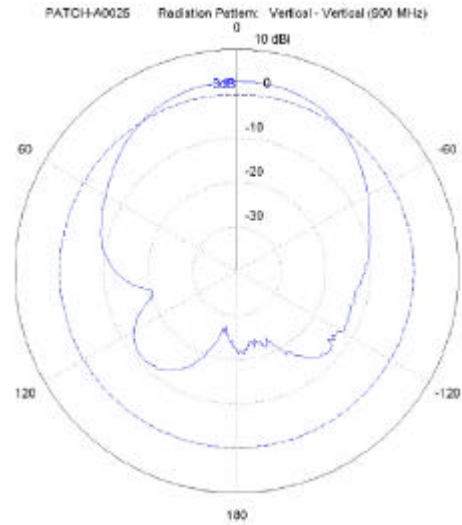
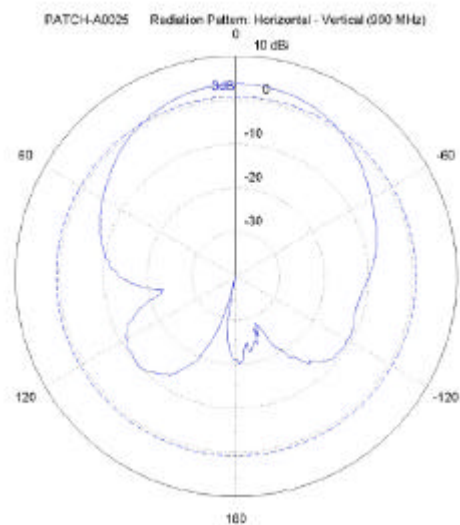
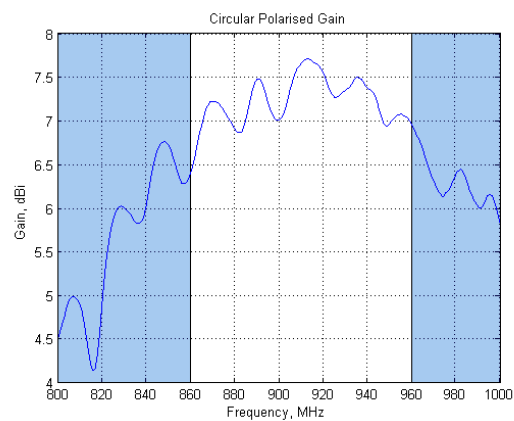
*** VSWR and Gain measurements done under simulated rain conditions of 10mm/hr

VSWR and Gain Measurements:

VSWR:



Gain



WiMo Antennen und Elektronik GmbH

Am Gäxwald 14, D-76863 Herxheim Tel. (07276) 9668-0 FAX 9668-11

<http://www.wimo.com>

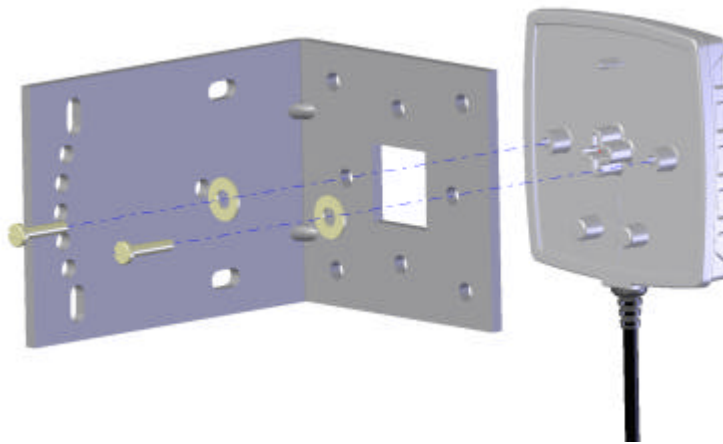
e-mail: info@wimo.com

Montage mit optionaler Mastschelle

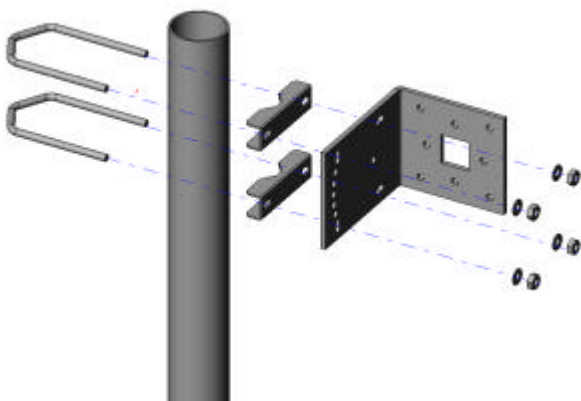
- Winkel mit zwei Blechs chrauben an die Antenne schrauben (im Bild für Vertikalpolarisation gezeigt).
- Winkel mit U-Bügel und Gegenschelle am Mast befestigen.
- Zum Neigen sind verschiedene Bohrungen vorhanden.
- Bei Außeneinsatz Steckverbinder mit selbstverschweißendem Dichtungsband o.ä. abdichten.

Mounting instructions using the optional mast bracket:

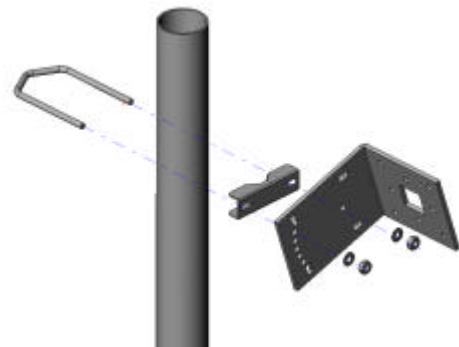
- Attach the L bracket to the antenna by means of the two No.10 x 13mm self tapping screws provided. The figure below illustrates this for vertical polarisation.
- Attach the enclosure to a mast (diameter 40-50mm) using the Econo-bracket assembly as shown in below.
- The Econo-bracket can be mounted through different holes to achieve the desired tilt angle of the antenna.
- For outside installation thoroughly seal connectors with self vulcanising tape to stop water ingress.



Attach the bracket to the antenna



Attach the bracket to a pole



Changing the Tilt Angle

WiMo Antennen und Elektronik GmbH

Am Gäxwald 14, D-76863 Herxheim Tel. (07276) 9668-0 FAX 9668-11

<http://www.wimo.com>

e-mail: info@wimo.com