

ANTENNA SPECIFICATION

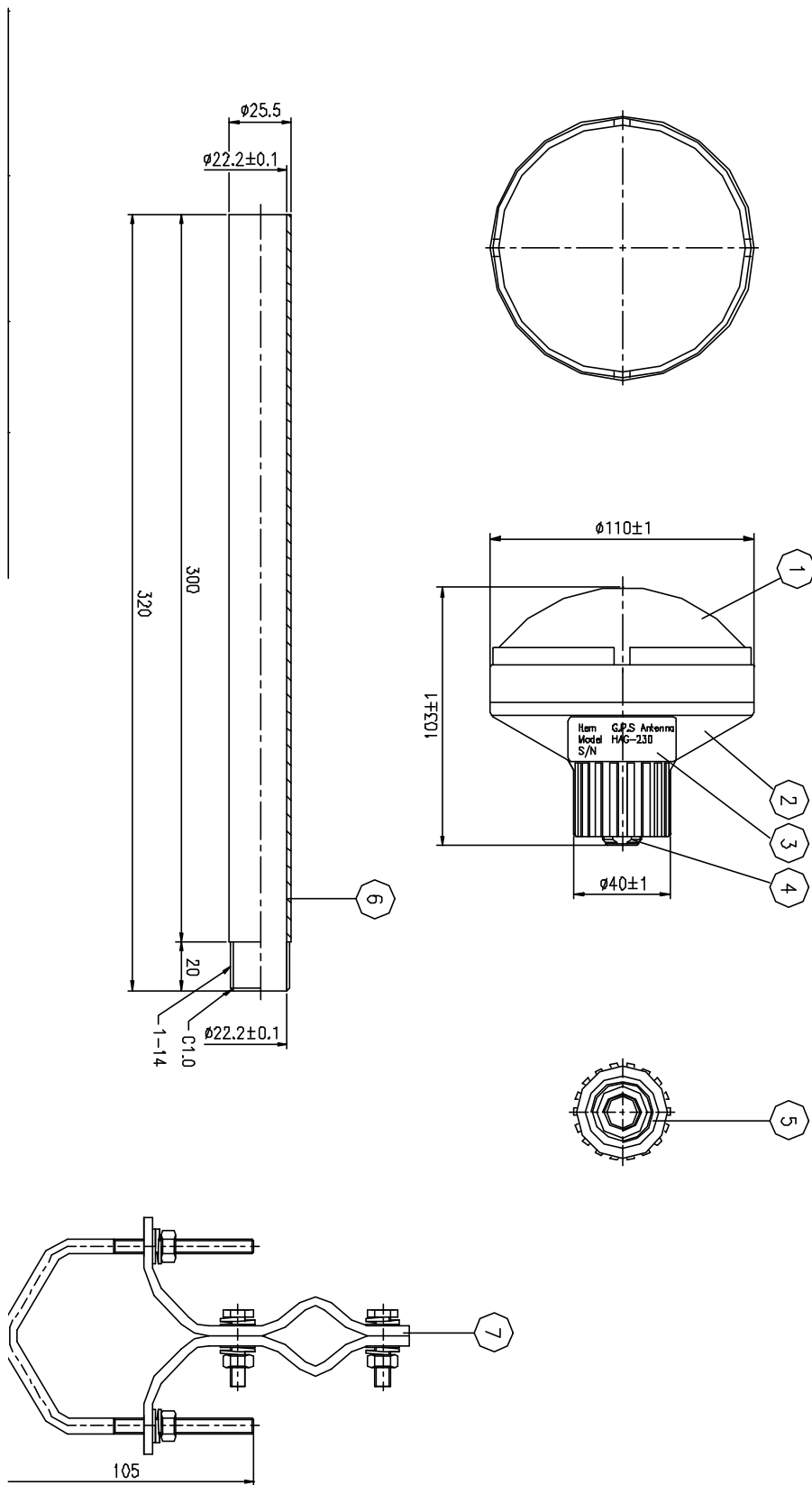
GPS ANTENNA

Model : HA-220-CN p/n 13085

| Model | HAG-220-CN |
|--|----------------------|
| LOW NOISE AMPLIFIER | |
| Frequency | 1575.42 ± 1.023MHz |
| VSWR | Less than 2.0 |
| Polarization | RHCP |
| Impedance | 50. |
| LNA Gain | 25 dB ± 2 dB |
| Noise Figure | 2.5dB (Max) |
| Band Attenuation | 7dB min @Fo ± 50 MHz |
| Voltage | DC +3V - +5V |
| Current | 30mA (Max) |
| MECHANICAL | |
| Weight | 450g (Antenna only) |
| Height | 103mm |
| Width | Ø110mm |
| Connector | N-Type (male) or TNC |
| Mounting | Bracket |
| ENVIROMENTAL | |
| Operating Temp. | -30° ... +80° |
| Storage Temp. | -40° ... +90° |
| APPLICATION: Base station, Marine | |

WiMo Antennen und Elektronik GmbH

Am Gäxwald 14, D-76863 Herxheim Tel. (07276) 96680 FAX 9668-11
<http://www.wimo.com> e-mail: info@wimo.com



WiMo Antennen und Elektronik GmbH

Am Gäxwald 14, D-76863 Herxheim Tel. (07276) 96680 FAX 9668-11
<http://www.wimo.com> e-mail: info@wimo.com